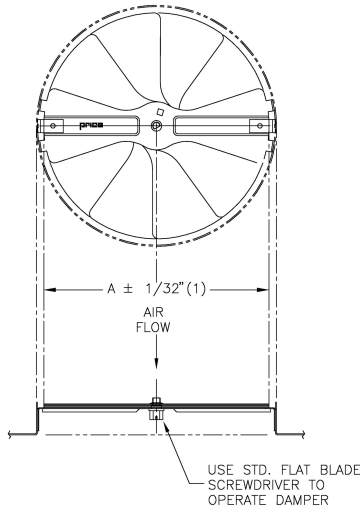


VCR9 Radial Damper



Notes:

- Damper controls air volumes from fully open to fully closed
- Damper mounts directly onto diffuser neck inlet. Nominal Inlet Sizes are 6 to 14
- Cannot be mounted to diffuser neck on RCD, RCDA, or RCDE models
- In high vibration applications, it is recommended that sheet metal screws are used on the retaining tabs
- Factory tolerance $\pm 1/32"$ (1)

Material:

- Galvanized Steel

Finish:

- MILL: Mill Finish

Nom Duct	A
6	5 1/2

PROJECT:
ENGINEER:
DESCRIPTION: Radial Damper
VCR9-1-1//6

SUBMITTAL NO: 261623
CUSTOMER:

SUBMITTAL DATE: 6/24/2020